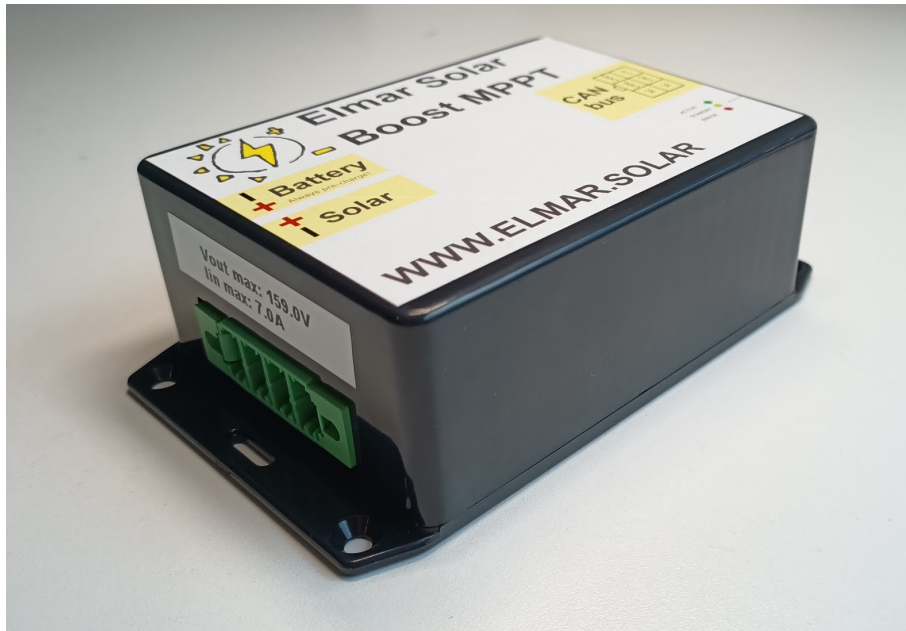


Elmar Solar MPPT Datasheet B series

September 8, 2020



1 Introduction

This document describes the specifications, performance and properties of the Elmar Solar 140V MPPT. This MPPT was originally designed for solar car racing teams. With it's record breaking 99.6% peak efficiency it is currently the most efficient MPPT available, worldwide.

Different versions of the MPPT are available to accompany for lower current Multi-junction solar arrays and Lower/Higher voltage battery systems. This document describes the default configuration of the MPPT optimized for SunPower C60 silicon solar cells and a 35 series cell li-ion battery.

2 Features

- Extremely high electrical conversion efficiency up to 99.6%
- Tracking algorithm optimized for solar cars driving up to 130km/h
- Data transmission via CAN Bus
- End of charge current control for safe and optimal battery charging

3 Specifications

Parameter	Minimal	Nominal	Maximal	Unit
Array Voltage *1	20		150	Volt
Array Current			7.0	Ampere
Output Voltage *1 *2	22	129.5	147.0	Volt
Output shutdown voltage spike			175	Volt
Boost ratio	1.1		8	
Efficiency		98.4	99.3	%
Off state current draw ($V_{out} = 140V$)		84	100	uA
Operating Temperature	0		55	Celsius
CAN Interface Specification				
Supply Voltage	10.8	12	13.2	Volt
Supply Current		20		mA
Transmission rate *3	125	500	1000	kB/s
Dimensions				
Length		136		mm
Width		82		mm
Height		44		mm
Weight incl. enclosure		395		gram
Weight excl. enclosure		285		gram

*1 The output voltage must be higher than 1.1x the input voltage for the MPPT to track the maximum power point correctly

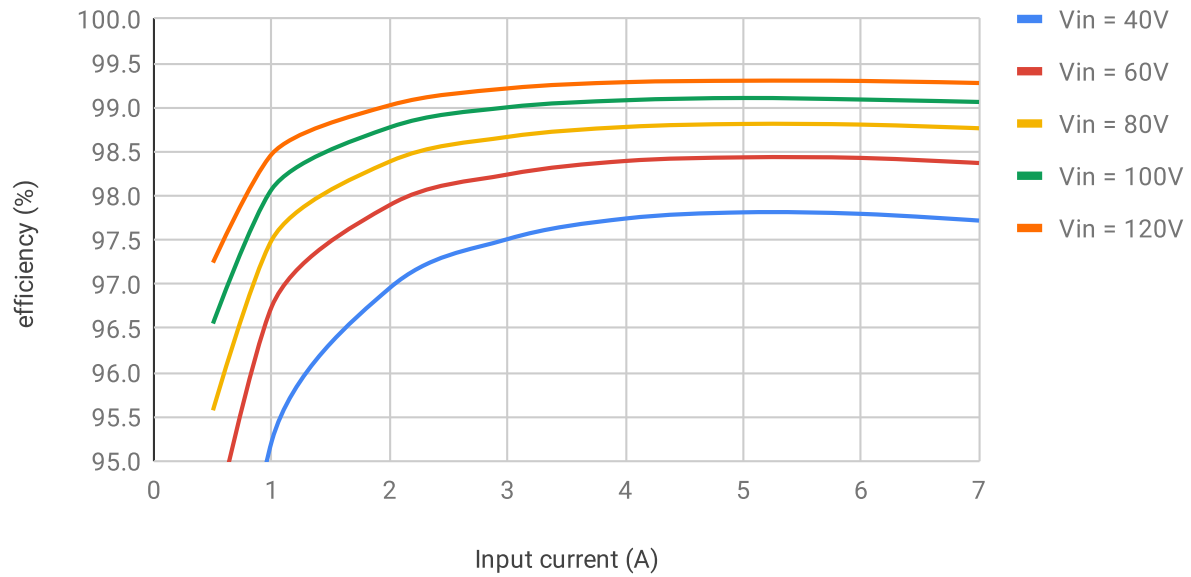
*2 The output voltage can be factory configured to any value lower than 165.0V

*3 Transmission rate can be factory configured to the rate required by the customer.

4 Electrical conversion

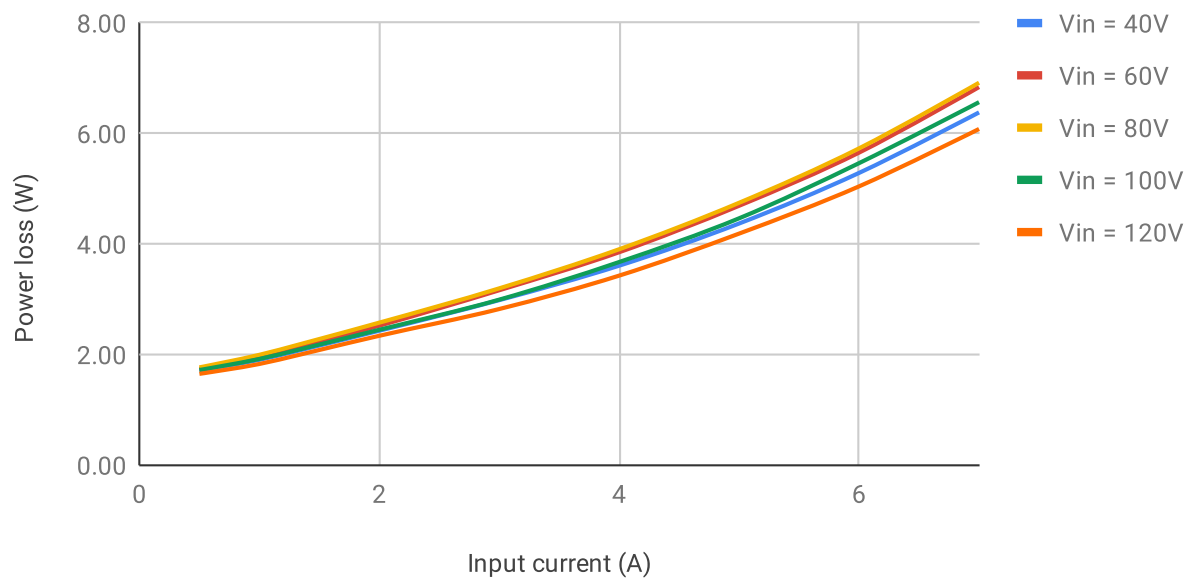
Efficiency

V_{out}=140V



Power loss

V_{out}=140V



5 Fusing

5.1 CAN

The 12V Can supply voltage rail is protected with a resettable 200mA PTC fuse of the type Bourns MF-MSMF020-2 mounted on the PCB of the MPPT.

5.2 Power

The V_{out+} voltage rail is protected with a fuse of the type Bel Fuse 0ADEC9150-BE mounted mounted on the PCB of the MPPT. This fuse is user replaceable, however it is recommended to send in the MPPT for service whenever this fuse is blown.



6 Precharge

6.1 Output

The Elmar Solar MPPT has 660uF of low-impedance capacitance across the DC bus output connections. Destructive high currents can flow when connecting capacitors or low impedance sources like a battery with a different voltage in parallel. An external precharge circuit is mandatory when connecting the MPPT output to a battery.

When the MPPT is in off state there is still a diode from the V_{in+} to V_{out+} , allowing the array to charge the output capacitors of the MPPT. Whenever connecting the output of MPPT's in parallel or paralleling the MPPT output to other devices such as a motor controller special care has to be taken to discharge all capacitors prior to making connections to avoid damage.

6.2 Input

The Elmar Solar MPPT has 330uF of low-impedance capacitance across the V_{IN} connections. A solar array is current limited and thereby a precharge circuit on the input is not necessary when connecting solar arrays that have a short circuit current of less than 8A.

7 Led signaling

A single LED indicator is available next to the canbus connectors. Use CAN to get more detailed information about the MPPT state.

Led color	state
Off	off-state
orange	standby-state
green	active-state
red	error-state

8 Can Bus Interface

The canbus can be used to monitor the operation of the MPPT and to limit the input current of the MPPT. The use of CAN communication is recommended but optional, the 12V can supply is required for the MPPT to turn on.

8.1 Galvanic isolation

A galvanic isolation barrier is present between the CAN circuitry and the power circuit.

Parameter	Value
Isolation Voltage	1kVDC
Isolation Resistance	10GOhm
Isolation Capacitance	20-75pF
Insulation Grade	Basic

8.2 CAN Bus Speed

The CAN Bus speed setting is hard coded into the device and can be specified when ordering the MPPT. Available options are 125kB/s, 250kB/s, 500kB/s and 1Mbit/s, by default it is set to 125 kB/s.

8.3 Identifier

The identifier field has been split in three sections for Elmar Solar MPPT's. Bits 10-8 contain the general device identifier, bits 7-4 contain the specific device identifier and bits 3-0 contain the message identifier.

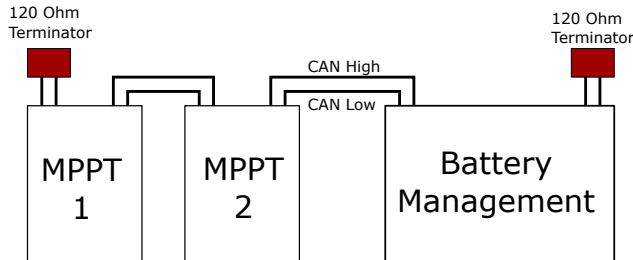
The general device identifier is hard coded into the device and can be specified when ordering the MPPT, by default it is set to 0x600. The specific device identifier can be selected using the rotary encoder on the MPPT and is equal to the number displayed on the rotary switch multiplied by 0x010.

With the default setting for the general device identifier of 0x600, and the rotary switch on position A, the MPPT base address becomes 0x6A0, with the rotary switch positioned on 3 the MPPT base address becomes 0x630.



8.4 CAN Termination

The CAN bus is structured as a linear network. The CAN bus data lines must be terminated at each end of the main bus with 120 ohm resistors between the CAN-H and CAN-L signals.



8.5 CAN broadcast Messages

8.5.1 Input measurements

ID: MPPT base Address + 0

Variable	Byte	Type	Unit
Input Voltage	0-3	FLOAT	Volt
Input Current	4-7	FLOAT	Ampere

8.5.2 Output measurements

ID: MPPT base Address + 1

Variable	Byte	Type	Unit
Output Voltage	0-3	FLOAT	Volt
Output Current	4-7	FLOAT	Ampere

8.5.3 Temperature

ID: MPPT base Address + 2

Variable	Byte	Type	Unit
Mosfet Temperature	0-3	FLOAT	Degree Celsius
Controller Temperature	4-7	FLOAT	Degree Celsius

8.5.4 Auxiliary power supply

ID: MPPT base Address + 3

Variable	Byte	Type	Unit
12V	0-3	FLOAT	Volt
3V	4-7	FLOAT	Volt

8.5.5 Limits

ID: MPPT base Address + 4

Variable	Byte	Type	Unit
Max. Output Voltage	0-3	FLOAT	Volt
Max. Input Current	4-7	FLOAT	Ampere

8.5.6 Status

ID: MPPT base Address + 5

Variable	Byte	Type	Unit
CAN RX error counter	0	UINT8	
CAN TX error counter	1	UINT8	
CAN TX overflow counter	2	UINT8	
error flags	3	8 bits	bit7: low array power bit6: mosfet overheat bit5: battery low bit4: battery full bit3: 12V undervoltage bit2: reserved bit1: HW overcurrent bit0: HW overvoltage
limit flags	4	8 bits	bit7: Input current min. bit6: Input current max. bit5: Output voltage max bit4: Mosfet temperature bit3: Duty cycle min. bit2: Duty cycle max. bit1: Local MPPT bit0: Global MPPT
mode	5	UINT8	0 = standby 1 = on
reserved	6	UINT8	
test counter	7	UINT8	+1 every second

8.5.7 Power connector

ID: MPPT base Address + 6

Variable	Byte	Type	Unit
Output Voltage (Battery side of fuse)	0-3	FLOAT	Volt
Power connector Temperature	4-7	FLOAT	Degree Celsius

8.6 CAN receive Messages

8.6.1 Mode

ID: MPPT base Address + 8

Variable	Byte	Type	Unit
mode	0	UINT8	0 = standby 1 = local tracking

8.6.2 Maximum output voltage

ID: MPPT base Address + 10

Variable	Byte	Type	Unit
Max. Output Voltage	0-3	FLOAT	Volt

8.6.3 Maximum input current

ID: MPPT base Address + 11

Variable	Byte	Type	Unit
Max. Input Current	0-3	FLOAT	Ampere

8.6.4 reserved

ID: MPPT base Address + 9

ID: MPPT base Address + 12..15

9 Connectors

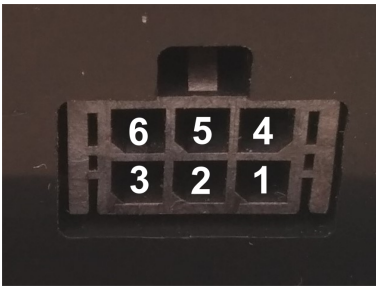
9.1 Can Bus

All 6 pins on the two canbus connectors are interconnected, pin 1 is connected to pin 1, pin 2 is connected to pin 2 etc. The connector used for the canbus on the MPPT is Wurth Electronics 66200621022.

Mating parts for this connector can be either:

- Wurth Electronics 662006113322
- Micro-Fit 3.0 430250600 / 430250608 / 430250610

1	+12V	Can Supply voltage, 10.8-13.2V
2	GND	Can Ground
3	NC	Not connected
4	CAN-H	Can High
5	CAN-L	Can Low
6	NC	Not connected



9.2 Power

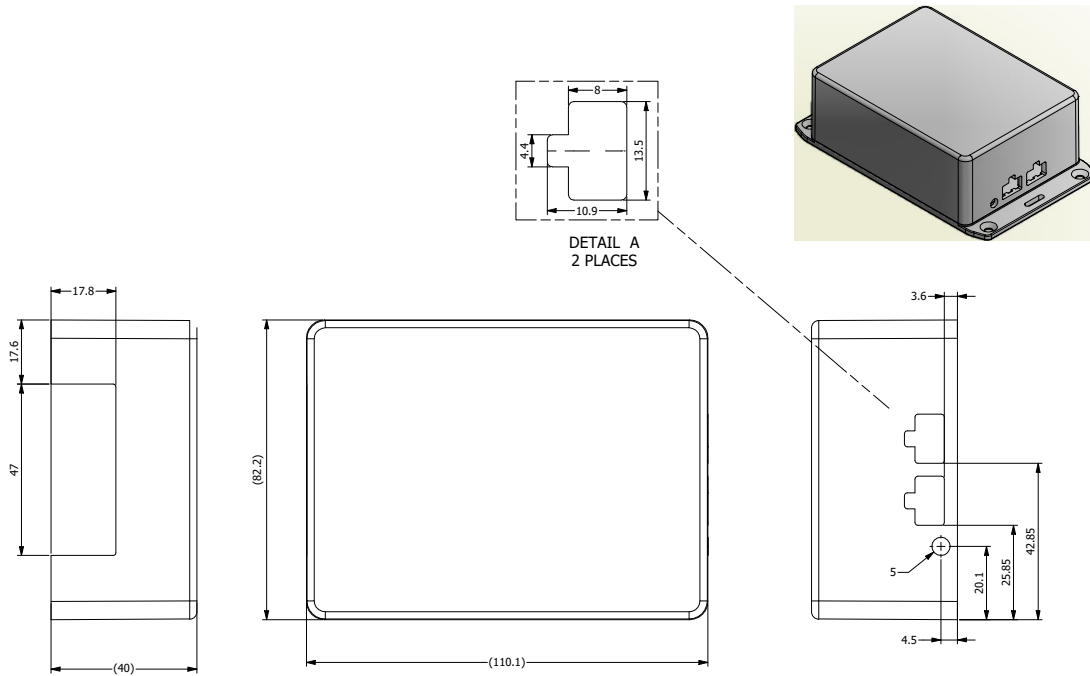
The Power connector used on the MPPT is Phoenix 1720819 (PC 5/4-GF-7,62). The recommended mating part for this connector is Phoenix contact 1777859 (PC 5/ 4-STF1-7,62). The connector is also backwards compatible with the older PC 4 counterparts.

1	V_{in-}	Array -
2	V_{in+}	Array +
3	V_{out+}	Battery +
4	V_{out-}	Battery -



10 Dimensions

10.1 Top cover



10.2 Base plate

